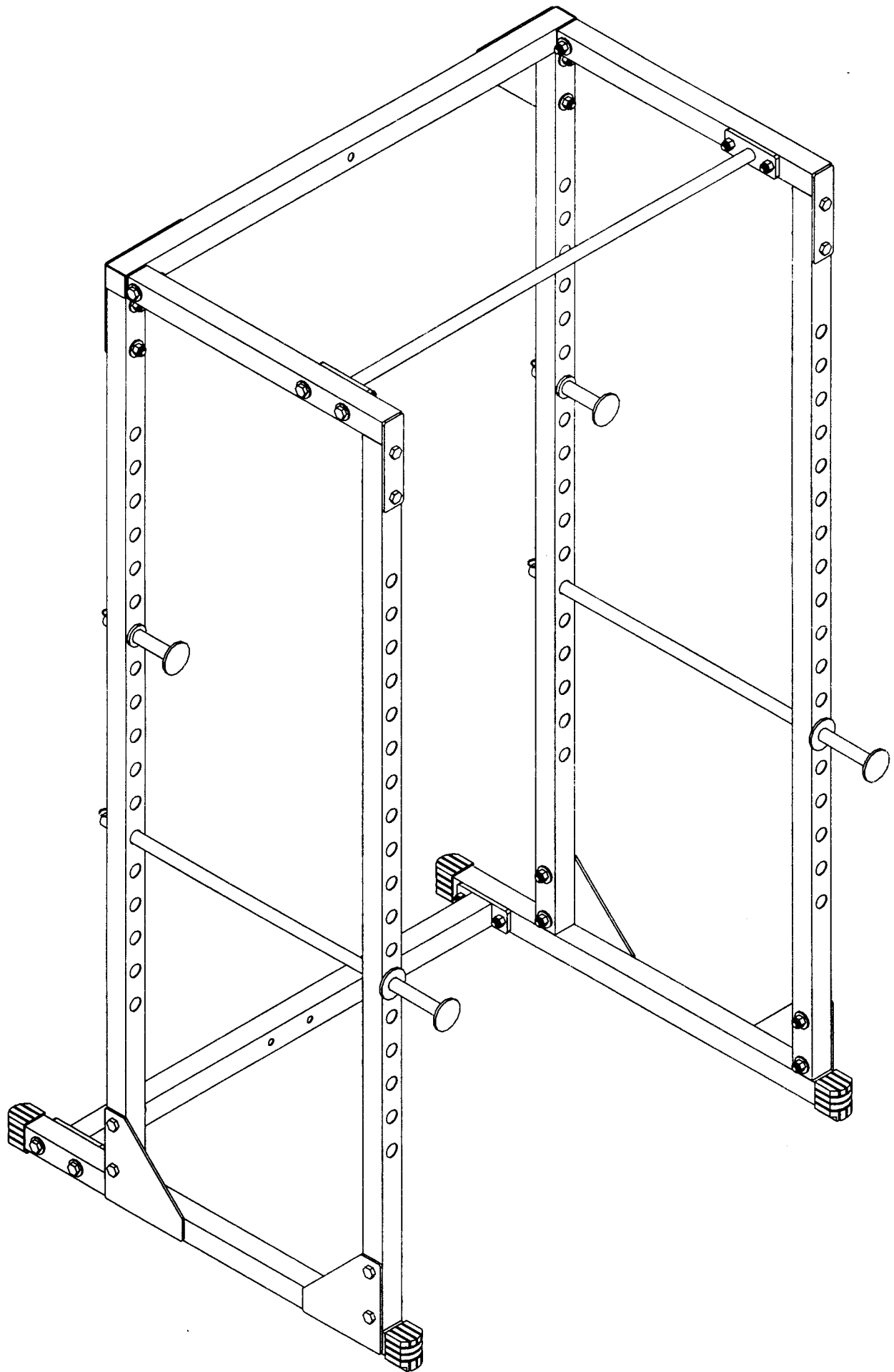


PPR-200

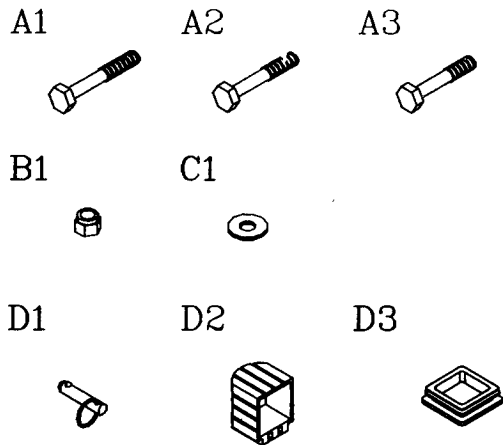


VERSION 0506

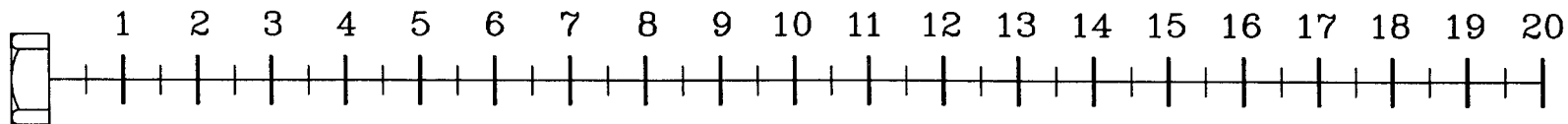
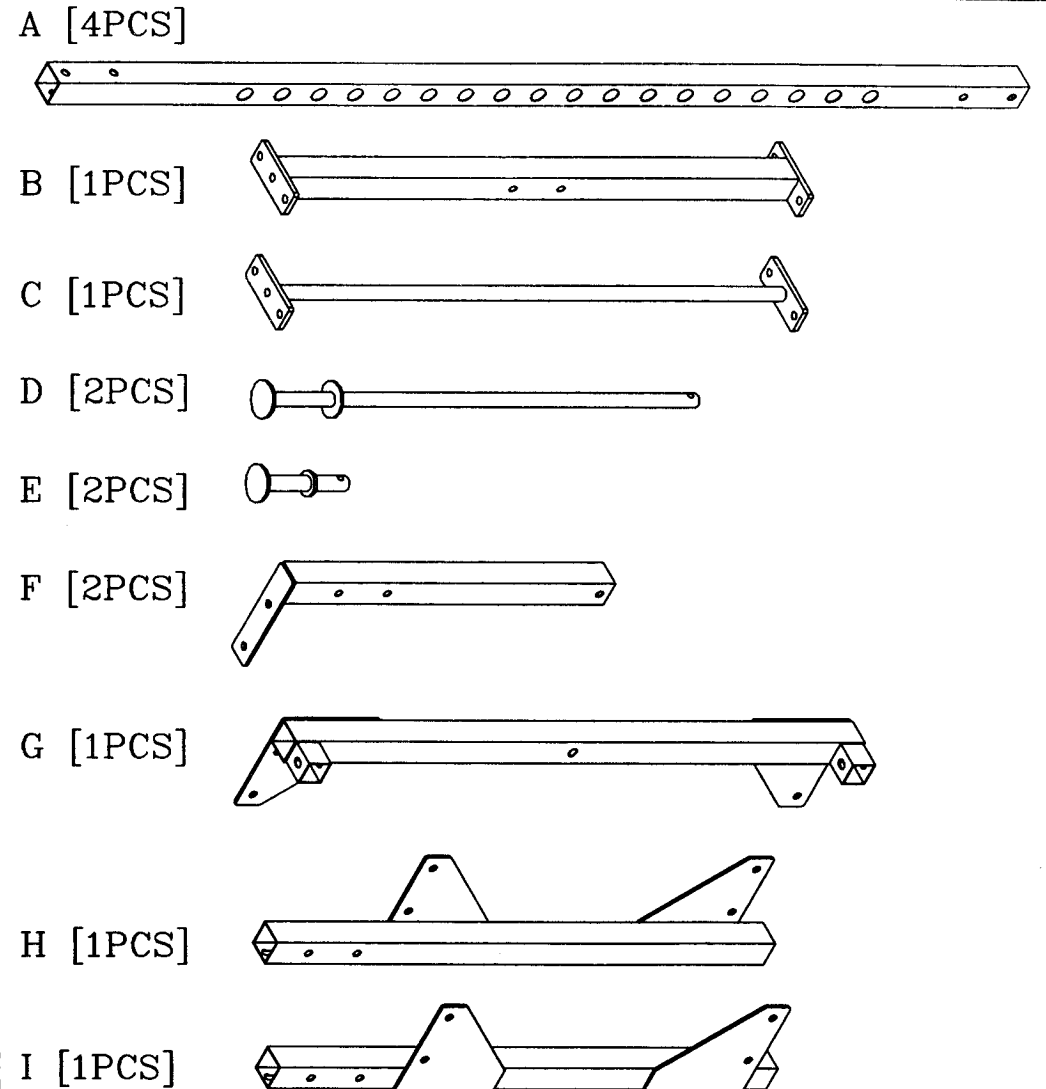
# PPR-200

## HARDWARE ILLUSTRATION SHEET

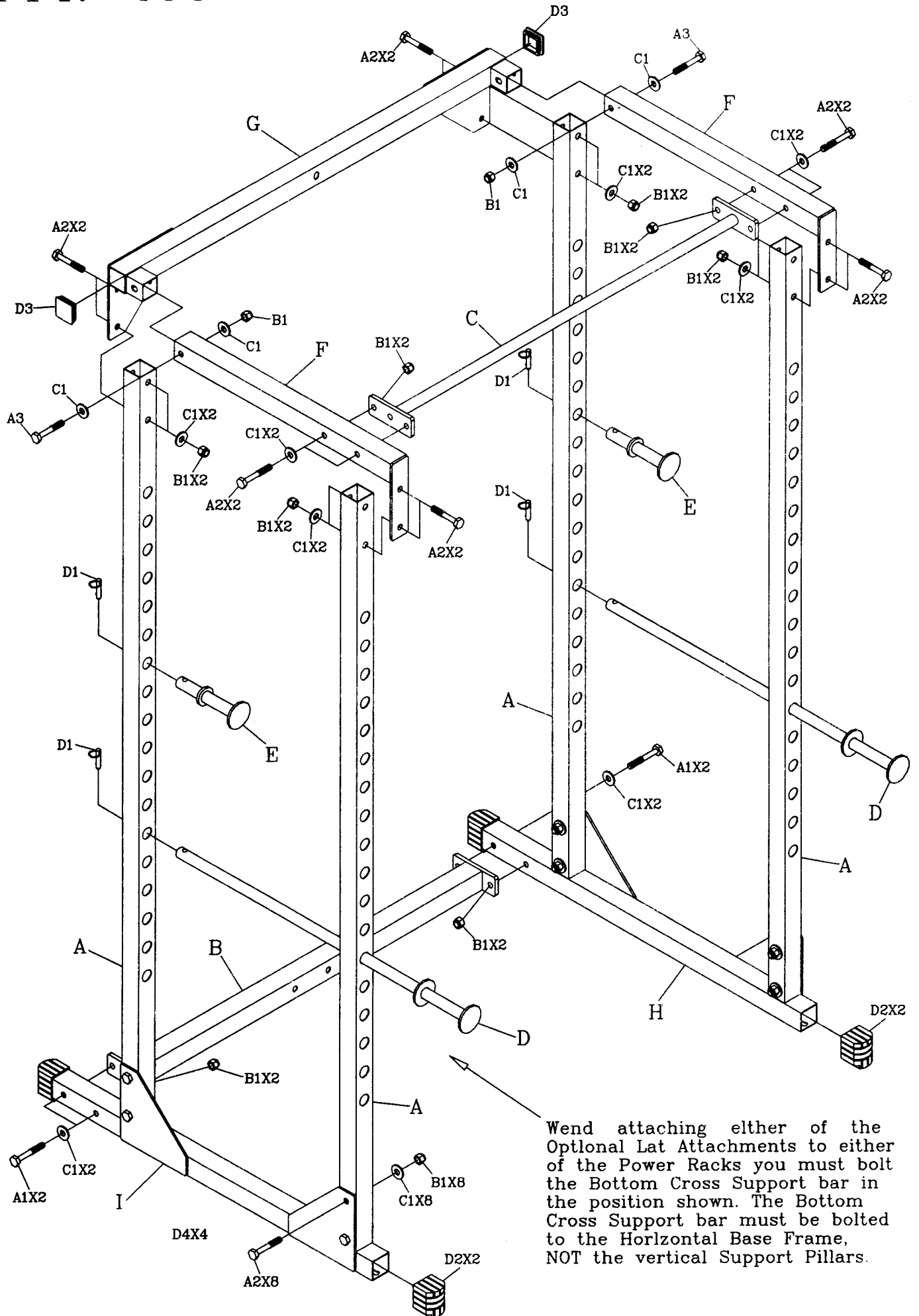
	Qty.
A1. M10X75 HEX HEAD BOLT	[4PCS]
A2. M10X70 HEX HEAD BOLT	[20PCS]
A3. M10X65 HEX HEAD BOLT	[2PCS]
B1. M10 NYLON LOCK NUT	[26PCS]
C1. M10 (I.D) WASHER	[28PCS]
D1. $\phi$ 10X35mm PIN (8250-014)	[4PCS]
D2. 2"X2" FOOT CAP (9212-003)	[4PCS]
D3. 2"X2" END CAP (9211-005)	[2PCS]



## PARTS ILLUSTRATION SHEET



# PPR-200



Wend attaching either of the Optional Lat Attachments to either of the Power Racks you must bolt the Bottom Cross Support bar in the position shown. The Bottom Cross Support bar must be bolted to the Horizontal Base Frame, NOT the vertical Support Pillars.

**THERE IS A RISK ASSUMED BY INDIVIDUALS WHO USE THIS TYPE OF EQUIPMENT. TO MINIMIZE RISK, YOU MUST FOLLOW THESE RULES:**

1. Inspect equipment before each workout. Check that all nuts, bolts, screws and pop pins are in place and fully tightened. Also, before use, check cables for signs of wear. Replace all worn parts. immediately. Never use machine if any parts are damaged or missing. Failure to follow these rules may result in serious injury.
2. Keep clear of the cables and all moving parts when the machine is in use.
3. Always make sure all Snap Links are closed when doing any cable/pulley exercises.
4. Exercise with care. Perform your exercises at a smooth moderate pace; never perform jerky or uncoordinated movements that may cause injury.
5. It is recommended that you should workout with a training partner.
6. Do not allow children or minors to play on or around this equipment.
7. If unsure of proper use of equipment, call your local Body-Solid distributor or the Body-Solid customer service department at 1-800-556-3113.
8. **WARNING:** Consult your physician before starting your exercise program. For your own safety, do not begin any exercise program without proper instruction.

RAL2-11-98

# POWERLINE One Year Warranty Registration Card

This Warranty applies only in the United States to products manufactured and introduced by Power-Line (Power-Line) under the Power-Line brand name. The warranty period to the original purchaser of this product is:

Power-Line warrants that the Product you have purchased for non-commercial, personal, family, or household use from Power-Line or from an authorized Power-Line reseller is free from defects in materials or workmanship under normal use during the warranty period. Your sales receipt showing the date of purchase of the Product is your proof of the date of purchase. This warranty extends only to you, the original purchaser. It is not transferable to anyone who subsequently purchases the Product from you. This warranty is void if the Product is assembled/installed according to the instructions, directions included with the Product.

During the warranty period Power-Line will at no additional charge, repair or replace (at Power-Line's option) the Product if it becomes defective, malfunctions, or otherwise fails to conform with this Warranty under normal non-commercial, personal, family, or household use. In repairing the product Power-Line may replace defective parts or, at the option of Power-Line, serviceable used parts that are equivalent to new parts in performance. All exchanged parts and Products replaced under this warranty will become the property of Power-Line. Power-Line reserves the right to change manufacturers of any part to cover any existing warranty.

To obtain warranty service, you must return the Product to Power-Line in its original container (or equivalent). You must pre-pay any shipping charges, export taxes, customs duties and taxes, or any other charges associated with transportation of the Product. In addition, you are responsible for insuring any Product shipped or returned. You assume the risk of loss during shipment. You must present Power-Line with proof-of-

purchase documents, including the date of purchase. Any evidence of alteration, erasing or forging of proof-of-purchase documents will be cause to void this Warranty.

This warranty does not extend to any Product not purchased from Power-Line or from an authorized Power-Line reseller. This warranty does not extend to any Product that has been damaged or rendered defective: (a) as a result of accident, misuse or abuse; (b) by the use of parts not manufactured or sold by Power-Line; (c) by modification of the Product; or (d) as a result of service by anyone other than Power-Line or an authorized Power-Line warranty service provider. Should any product submitted for Warranty service be found to be ineligible, an estimate of repair cost will be furnished and the repair will be made if requested by you upon Power-Line's receipt of payment or acceptable arrangement of payment.

EXCEPT AS EXPRESSLY SET FORTH IN THIS WARRANTY POWER-LINE MAKES NO OTHER WARRANTIES, EXPRESSED OR IMPLIED INCLUDING ANY IMPLIED WARRANTIES OF MERCHANTABILITY AND FITNESS FOR A PARTICULAR PURPOSE. POWER-LINE EXPRESSLY DISCLAIMS ALL WARRANTIES NOT STATED IN THIS WARRANTY. ANY IMPLIED WARRANTIES THAT MAY BE IMPOSED BY LAW ARE LIMITED TO THE TERMS OF THIS WARRANTY. NEITHER POWER-LINE NOR ANY OF ITS AFFILIATES SHALL BE RESPONSIBLE FOR INCIDENTAL OR CONSEQUENTIAL DAMAGES. SOME STATES DO NOT ALLOW LIMITATIONS ON HOW LONG AN IMPLIED WARRANTY LASTS OR THE EXCLUSION OR LIMITATION OF INCIDENTAL OR CONSEQUENTIAL DAMAGES, SO THE ABOVE LIMITATIONS OR EXCLUSION MAY NOT APPLY TO YOU. This Warranty gives you specific legal rights and you may also have other rights that may vary from state to state. This is the only express warranty applicable to Power-Line branded products. Power-Line neither assumes nor authorizes anyone to assume for it any other express warranty.

— Warranty is not applicable outside the United States —

Before returning a product you must call Power-Line at 1-800-556-3113 to obtain a Return Authorization Number.

No returns will be accepted without the Return Authorization Number. Original purchaser must pre-pay all freight charges on warranty claims.

Power-Line will not accept Freight Collect shipments or return shipments on a freight collect basis.

KEEP THIS HALF FOR YOUR RECORDS

## POWERLINE

### ONE YEAR WARRANTY REGISTRATION CARD

Congratulations! You have just purchased a quality POWER-LINE product. You must fill out this Warranty Registration Card completely, and return it to POWER-LINE within 10 days of purchase for this warranty to be valid.

First Name			Initial			Last Name		
Street			Apt. No.			City		
State			Zip Code			Country		
Phone								

ITEM NO. \_\_\_\_\_

ITEM NAME \_\_\_\_\_

DATE OF PURCHASE \_\_\_\_\_

- Where did you purchase this product from?  
\_\_\_\_\_
- Who will use this product?  
\_\_\_\_ % Male \_\_\_\_ % Female
- Age of product user?  
 Under 24       45-54  
 25-34       55-64  
 35-44       Over 65
- Household Income?  
 Under \$15,000       \$45,000 - \$60,000  
 \$15,000 - \$30,000       \$60,000 - \$75,000  
 \$30,000 - \$45,000       \$75,000 Plus

- How did you learn of this product?  
 TV       Friend  
 Radio       Print ad / Flyer  
 In Store Display       Catalog  
 Salesperson       Other \_\_\_\_\_
- Why did you choose our product?  
 Quality       Brand Name  
 Features       Price / Value  
 Appearance / Style       Warranty  
 Design / Function       Other \_\_\_\_\_

#### CAUTION • PLEASE NOTE • WARNING THERE IS A RISK ASSUMED BY INDIVIDUALS WHO USE THIS TYPE OF EQUIPMENT. TO MINIMIZE RISK, YOU MUST FOLLOW THESE RULES:

- Inspect equipment before each workout. Check that all nuts, bolts, screws and pop pins are in place and fully tightened. Also, before use check cables for signs of wear. Replace all worn parts immediately. Never use machine if any parts are damaged or missing. Failure to follow these rules may result in serious injury.
- Keep clear of the cables and all moving parts when the machine is in use.
- Always make sure all Snap Links are closed when doing any cable pulley exercises.
- Exercise with care. Perform your exercises at a smooth moderate pace, never perform jerky or uncoordinated movements that may cause injury.
- It is recommended that you should workout with a training partner.
- Do not allow children or minors to play on or around this equipment.
- If unsure of proper use of equipment, call your local Power-Line distributor or the Power-Line customer service department at 1-800-556-3113.
- WARNING:** Consult your physician before starting your exercise program. For your own safety, do not begin any exercise program without proper instruction.

Please sign:

\_\_\_\_\_  
Signature.

# **POWERLINE**

## **WARRANTY**

### **Registration Card**

**(SEE DETAILS ON BACK)**

**FROM:**

**Name:** \_\_\_\_\_

**Address:** \_\_\_\_\_

**Apt#:** \_\_\_\_\_

**City:** \_\_\_\_\_

**State:** \_\_\_\_\_

**Zip Code:** \_\_\_\_\_

**PLACE  
STAMP  
HERE**

# **POWERLINE**

**1900 S. Des Plaines Ave.  
Forest Park, IL 60130**

**IMPORTANT!**

**POWERLINE Warranty Registration Card**